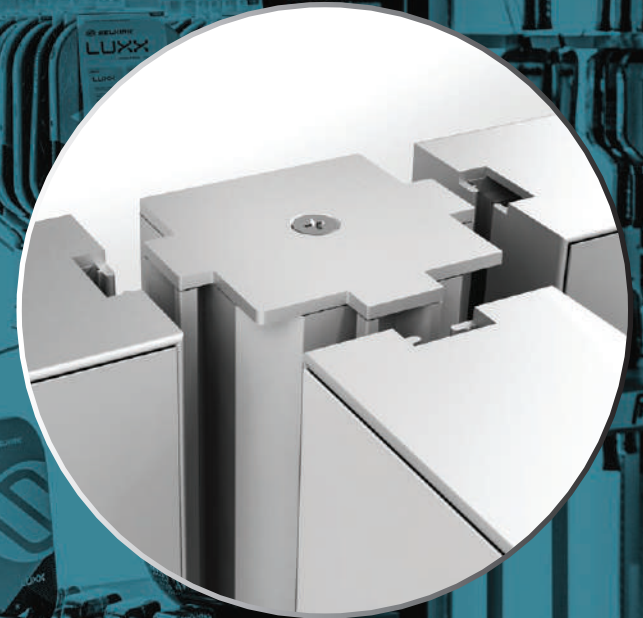


The **LOOK** Company®

MODULAR

DISPLAY SYSTEMS



INNOVATIVE DISPLAY SYSTEMS

The Look Company transforms retail environments by delivering innovative display systems and printed graphics in a wide range of applications. Our SEG graphics and modular frames capture the attention of shoppers with an elevated in-store experience.



FEATURES:

- ✓ Modular connectors provide unlimited design flexibility
- ✓ Reusable - can be reconfigured for multiple uses
- ✓ Easy to build - no skilled labor required
- ✓ Lightweight, freestanding & movable
- ✓ Customizable graphics - can be changed in minutes



CUSTOM HARDWARE

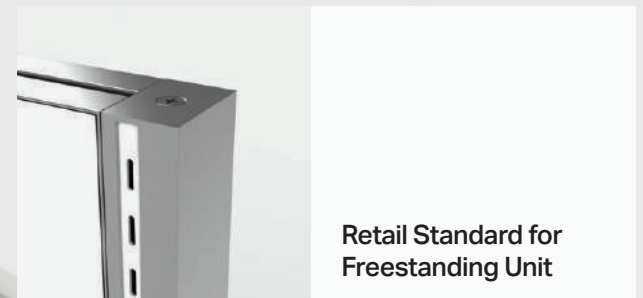
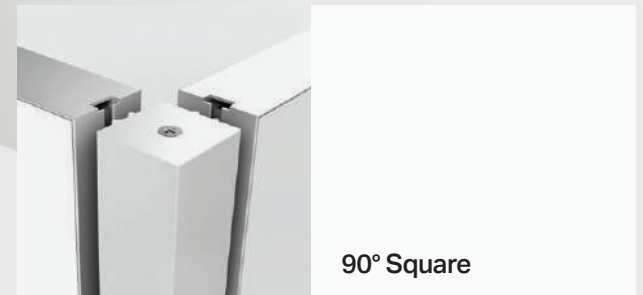
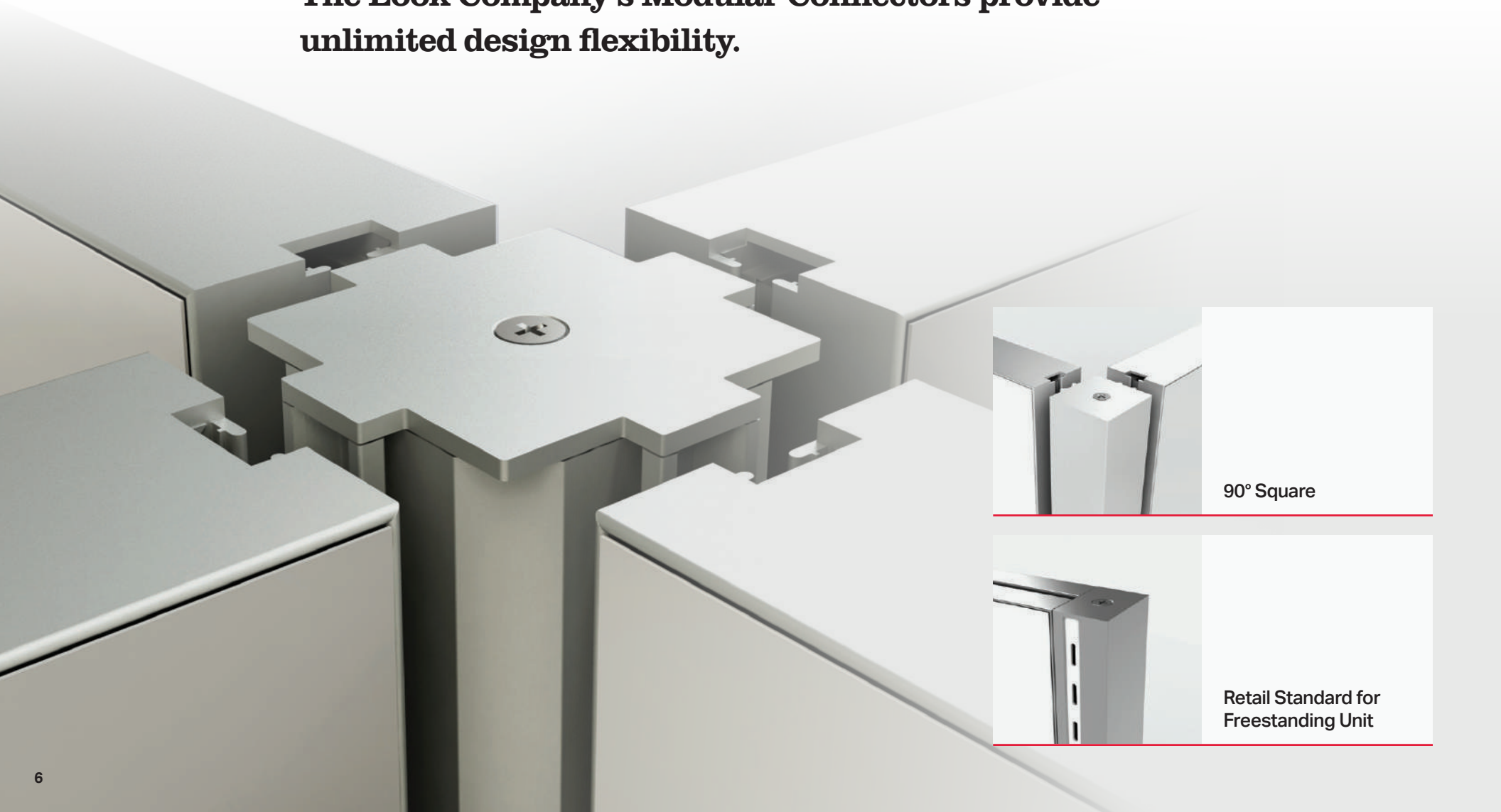
Our proprietary hardware is designed in-house and manufactured in our North American facility. This enables us to produce custom solutions to satisfy any project requirements.

Our modular display system is made from aluminum extrusion. Finishes are available in standard black and silver, and custom powder coated colors.



MODULAR CONNECTORS

The Look Company's Modular Connectors provide unlimited design flexibility.





Straight Hidden Connector



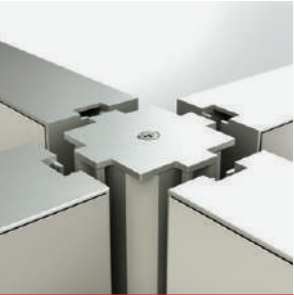
3-Way Connector



Bullnose 60° Connector



Straight 2" Post



4-Way Connector



Connector with Retail Standard (Middle)



90° Corner



Bullnose End Post



Connector with Retail Standard (End)



90° Quarter Round Connector



Square End Post



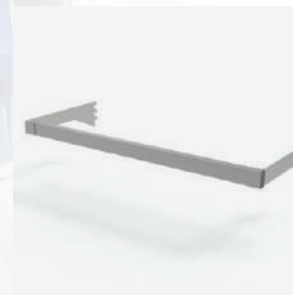
55° Corner Connector



ACCESSORIES

Customize your modular display system with The Look Company's full range of accessories. Add light integrations, millwork and powder coated finishes to create a unique brand experience.

RODS



Hangrod Bracket



Hangrod with Faceouts

TOPPERS



Valance Lit Header



Angled Topper



Curved Header



Straight Header

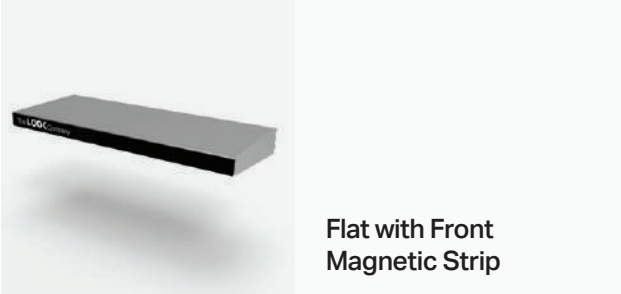
SHELVES



50mm Lit Shelf



Angled with Front Magnetic Strip



Flat with Front Magnetic Strip



Tempered Glass



Millwork

FINS



Fin

SUBSTRATES

NON-LIT:

- ✓ Fabric
 - Stretch polyester
 - Blackout

- ✓ Rigid
 - Aluminum Composite Material (ACM)
(e.g. Dibond or Alumacore)
 - Acrylic (clear, translucent)
 - Polystyrene or other printable plastics

LIT:

- ✓ Fabric
 - Vivid
 - Blackout (for non-lit sides)
 - Dispersion panel

- ✓ Rigid
 - Acrylic (clear, translucent, printed)
 - Polystyrene or other printable plastics

MEDIA OPTIONS

Media applications are custom orders. Digital screens can be mounted in either lit or non-lit frames. Available surrounds include: fabric, ACM or acrylic frames. Media management software is optional.



UNLIMITED DESIGN FLEXIBILITY

Create unique branded environments with custom graphic display systems. Combine components to build walls, partitions, seamless corners, product displays, pop-ups, kiosks, booths, and so much more. Enclose ceiling space with continuous graphics for departmental identification signage or to enhance the store's brand environment. Integrate lit and non-lit fabric panels or digital screens for an omnichannel display. Our system can be easily reconfigured for multiple applications.





Self Checkout



20+ items

Self Checkout

fresh

We work hard
LOW

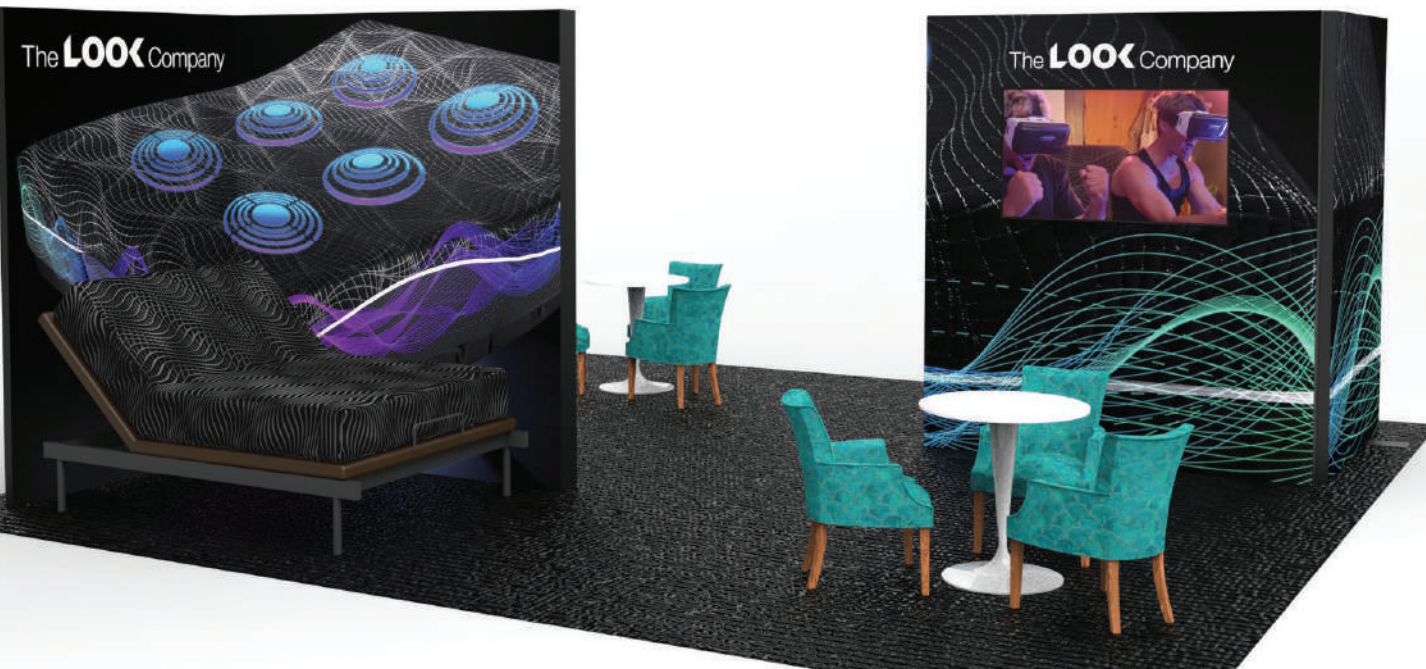
Check out with your
Save Time

BRING YOUR VISION TO LIFE

Our concept and design team are seasoned experts in crafting unique brand solutions for retail environments. From the ideation process to producing technical CAD drawings, we can help bring your ideas to life.

CUSTOM SOLUTIONS

Customize your brand experience with The Look Company's modular display system. Create pop-ups, gallery stores, full stores, vignettes, integrated displays and so much more.







**OUR
WORK**





OUR COMPANY - WHO WE ARE

The Look Company transforms environments by delivering extraordinary visual engagement solutions to inspire brand experiences. For over 20 years, we have been perfecting our digital printing processes and have won multiple international awards for print quality.





G7 MASTER CERTIFIED FACILITY



The Look Company is a G7® Master Certified Facility which confirms our commitment to provide our customers with the best results in color management and print consistency. With offices in North America, the Middle East, and Europe, The Look Company applies the same commitment to print quality anywhere in the world.

AWARD WINNING PRINTER

As an award-winning print partner, we produce industry-leading graphics and display systems for trusted brands such as Samsung, Under Armour, Skechers, Home Hardware and Walmart. In addition, our products fill multiple sports stadiums as the provider of branding at The Olympics, Major League Baseball events, National Hockey League games, and several other diverse world championships.





The **LOOK** Company®

1.866.979.8326 | thelookcompany.com

USA • Canada • France • Qatar • Philippines

MKCMOD